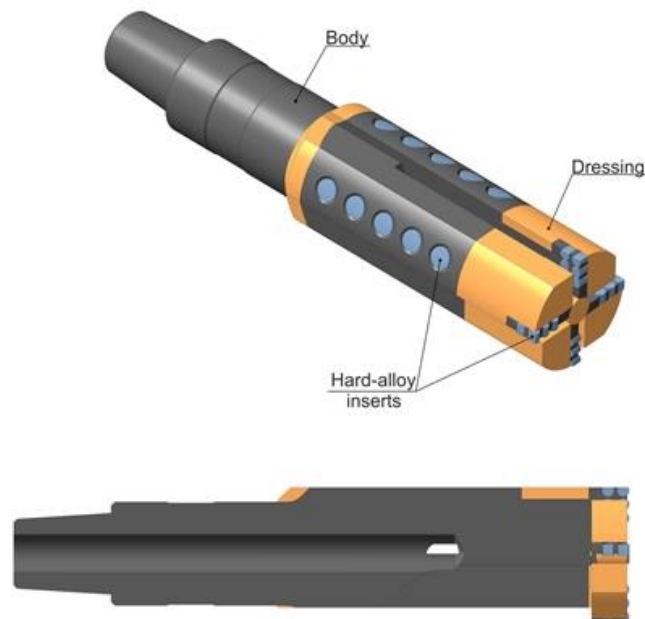


JUNK MILL WITH COMBINED DRESSING TYPE FT-K

The Junk Mill with Combined Dressing type FT-K is used to drill out metal objects, cement stone during repair and recovery works in the well – individually with washover through slots in mill’s body.

The Mill has body made of high-strength alloy steel and cutting and grinding dressing with crushed tungsten carbide inserted into matrix of nickel-containing brass and hard-alloy inserts on face and cylindrical parts of the mill. There is a connecting thread at the upper part of body, ports and grooves for effective cooling and intensive washing to carry out swarf are placed at the bottom and side surface. The Mill can be produced in left/right configuration.



Code	FT-68K
Outside diameter, mm	2.68
Diameter of flushing port, in	0.79
Length, ft	1.05
Weight, lb	13.45
Connecting thread	NC 16